

FAG

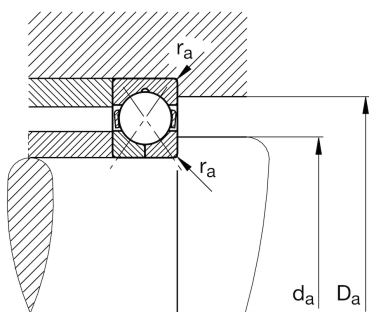
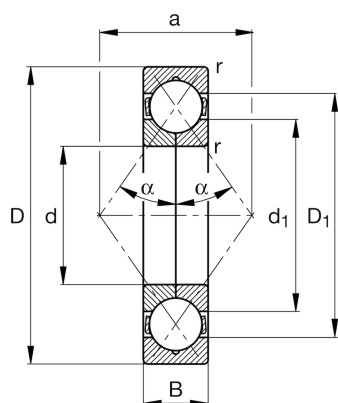
**QJ304-XL-MPA**

Four-point contact bearing

Schaeffler ID:  
0192615940000Four point contact bearing QJ3..-XL-MPA,  
X-life, solid brass cage

X-life

## Technical information

**Main Dimensions & Performance Data**

d	20 mm	Bore diameter
D	52 mm	Outside diameter
B	15 mm	Width
$C_r$	31,000 N	Basic dynamic load rating, radial
$C_{0r}$	19,600 N	Basic static load rating, radial
$C_{ur}$	1,360 N	Fatigue load limit, radial
$n_G$	28,500 1/min	Limiting speed
$n_{gr}$	10,700 1/min	Reference speed
	0.175 kg	Weight

**Dimensions**

$r_{min}$	1.1 mm	Minimum chamfer dimension
$D_1$	41.4 mm	Shoulder diameter outer ring
$d_1$	30.6 mm	Shoulder diameter inner ring
a	26 mm	Distance between the apexes of the pressure cones
$\alpha$	35 °	Contact angle

**Mounting dimensions**

$d_{a min}$	27 mm	Minimum diameter shaft shoulder
$D_{a max}$	45 mm	Maximum diameter of housing shoulder
$r_{a max}$	1 mm	Maximum fillet radius

**Temperature range**

$T_{min}$	-30 °C	Operating temperature min.
$T_{max}$	150 °C	Operating temperature max.